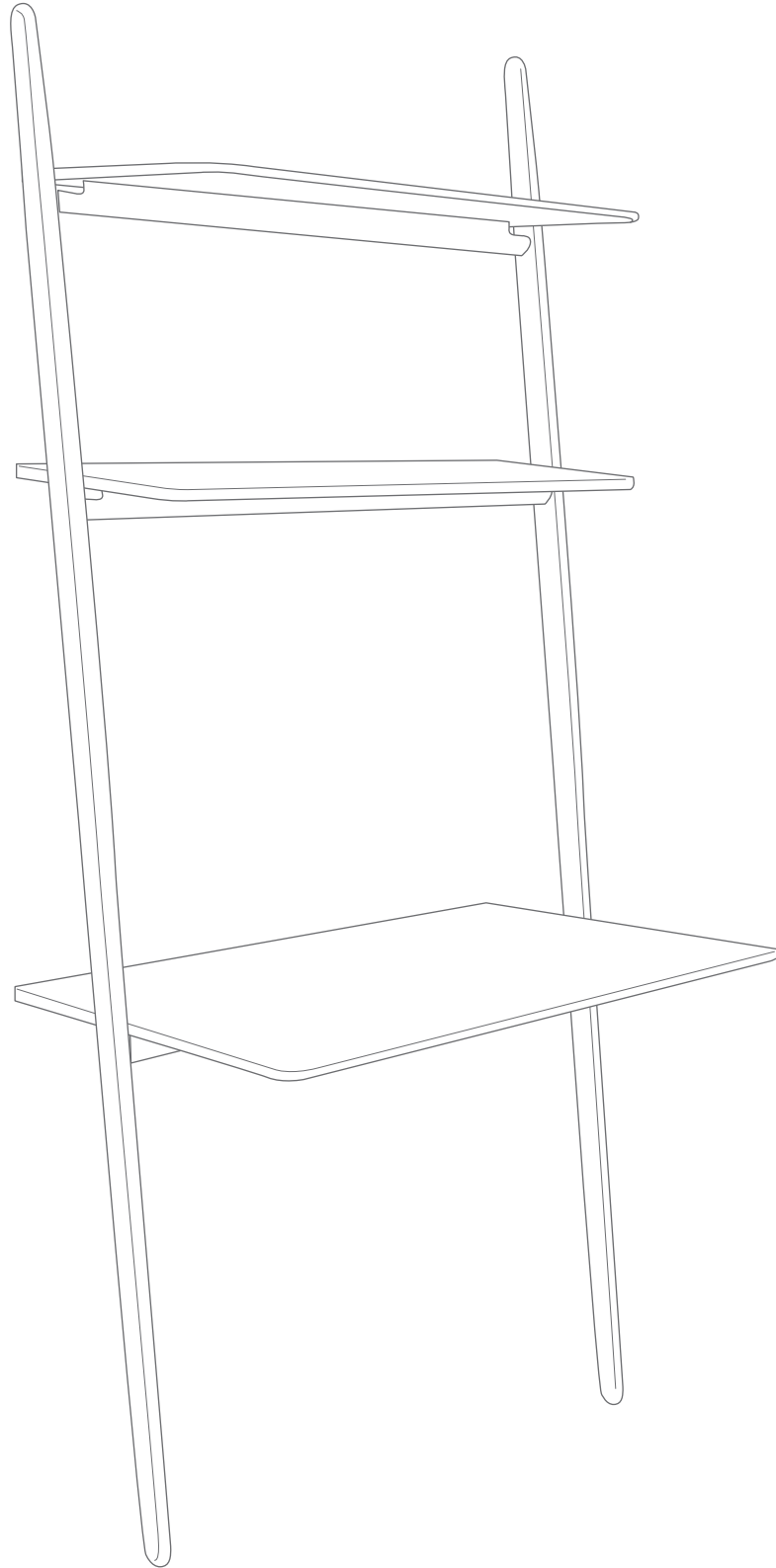


Folk 32" Desk Ladder Shelving
Designed by Norm Architects

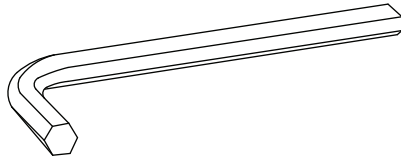
Customer Service:
1.800.944.2233 inside the U.S.
1.203.614.0600 outside the U.S.



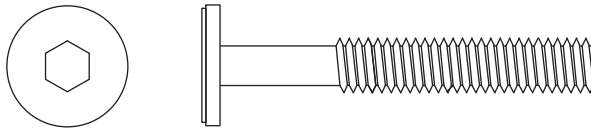
Folk 32" Desk Ladder Shelving
Designed by Norm Architects

Hardware Checklist

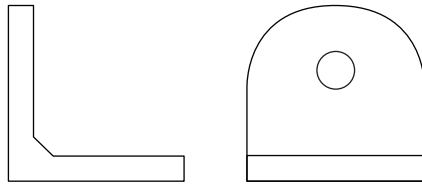
4mm Allen wrench
x 1



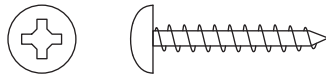
50mm bolt
x 9



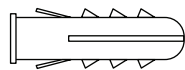
L-bracket
x 4



Screw
x 8

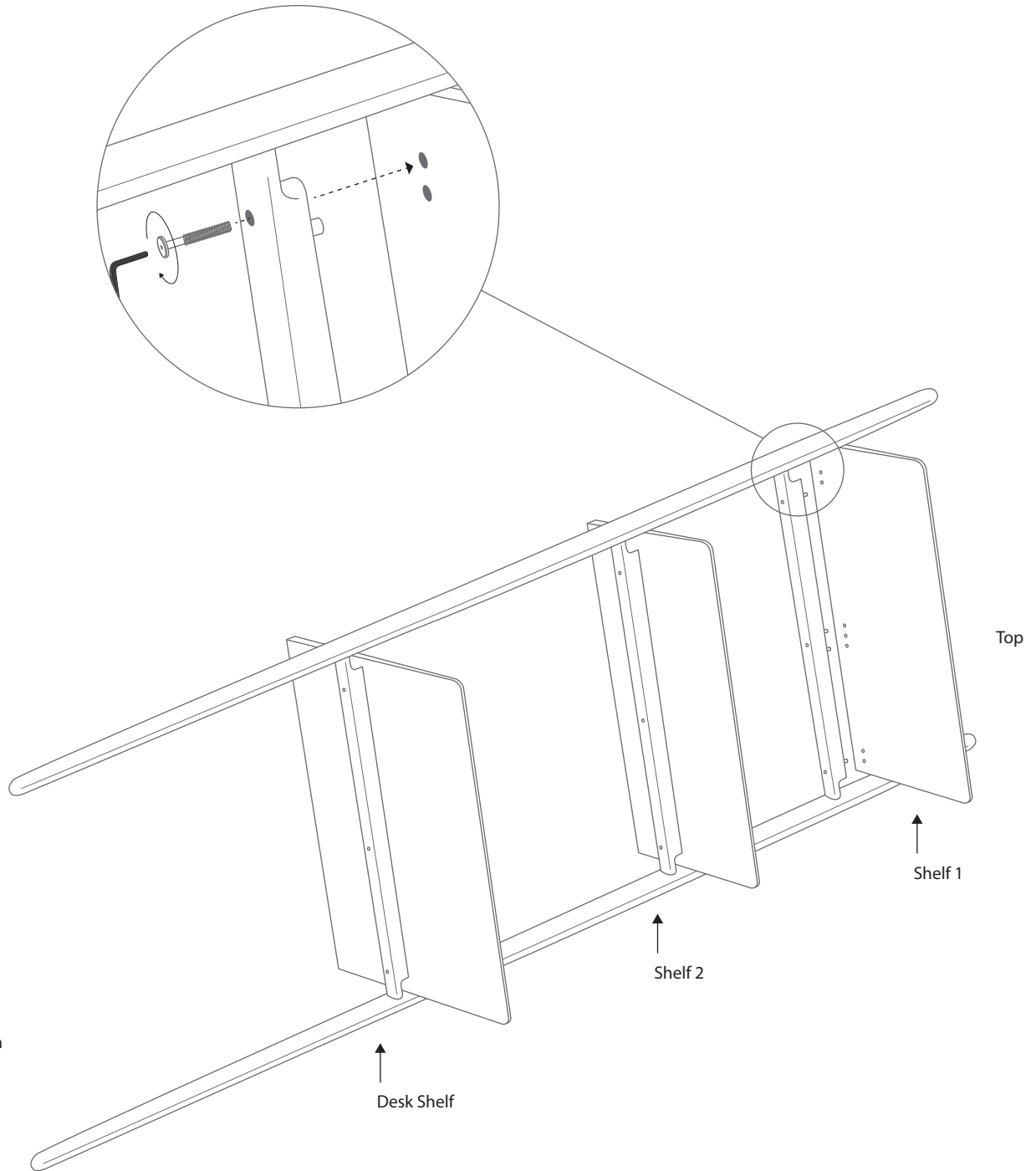


Wall anchor
x 4



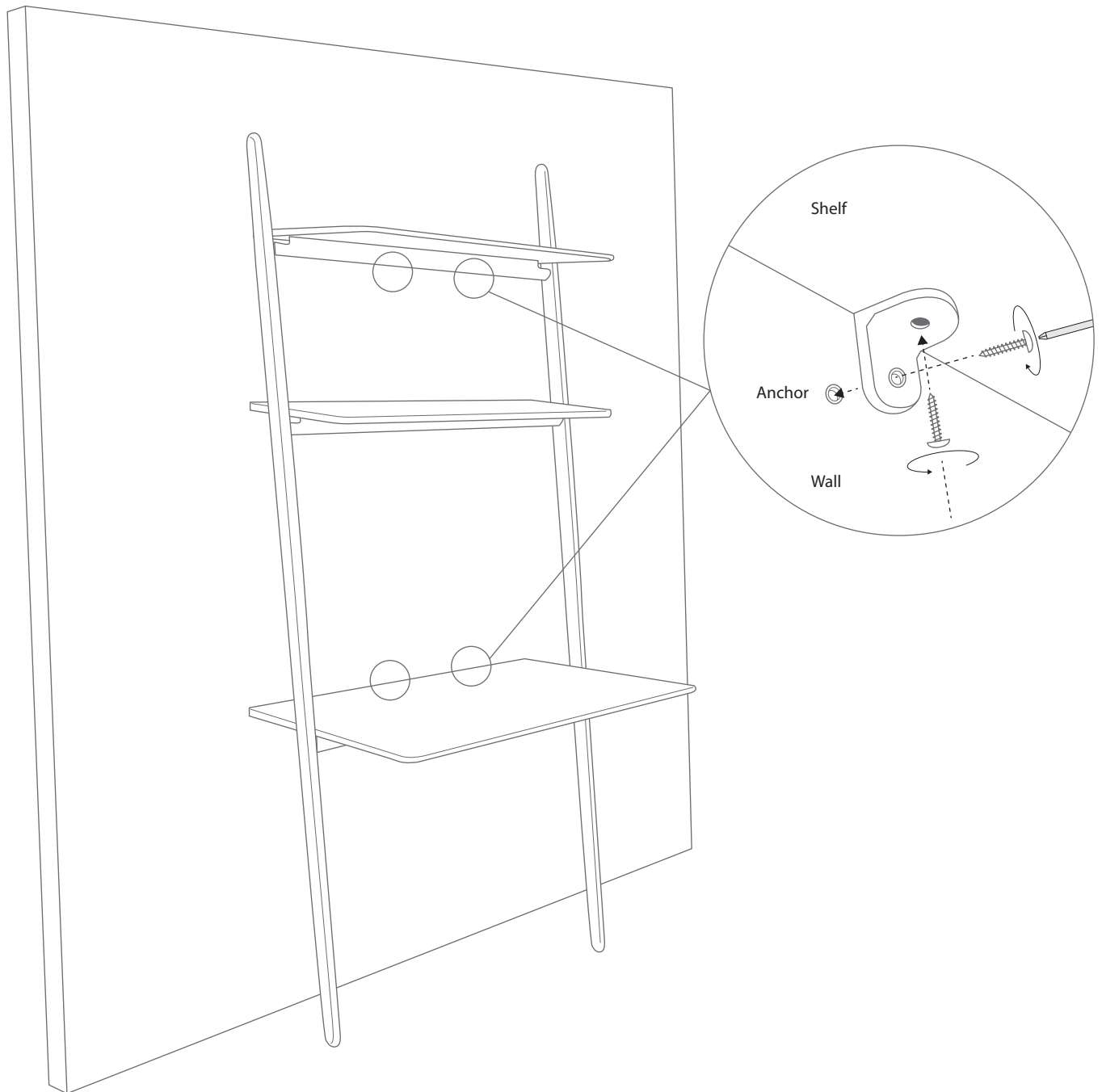
Folk 32" Desk Ladder Shelving
Designed by Norm Architects

1. Attach Shelf 1 as shown using 50mm bolts and Allen wrench.
Repeat with remaining shelves.



Folk 32" Desk Ladder Shelving Designed by Norm Architects

2. Ladder shelving must be attached to wall for safety. Attach L-brackets to Shelf 1 and Desk Shelf as shown. Provided anchors are for drywall use only. Please make sure you are using an appropriate system for your wall type.



Folk 32" Desk Ladder Shelving
Designed by Norm Architects

